

LEDCity monolicht

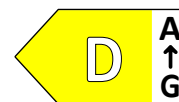


Datasheet

AVAL

NOMUS

GENERAL DATA



Input Voltage	198 – 264 VAC	Active time settings	1s-4h
Battery Operation	176 – 280 VDC	Soft light start	Yes
Operating frequency	50 – 60 Hz	Basic light function	Yes
Power factor	0.98	Basic light settings	0-100% / 1% step
Material	Al / PC / PE	Daylight control	Yes
Colour temperature **	3000 – 6000 K	Group parameterization	Yes
Colour rendering index **	>80	Swarm intelligence	Yes
Colour Consistency (Mac Adam)	3	Remote Access	Yes
UGR (4H/8H; 70/50/20) (per/par)	< 21 / < 21	Status monitoring	Yes
Energy Class	D	Detection monitoring	Yes
Standby Power *	<0.15 W (driver)	Energy monitoring (via D4i)	Yes
Service Life (L70B10)	50'000 h	Reset	Yes (magnetically)
IP Protection class	IP40	Status LED	Yes (multicolour)
Protection class	I		
Operating temperature	0 °C .. +45 °C		
Storage temperature	-10 °C .. +60 °C		
Operating & storage humidity	10 – 80 % rH		
Motion sensor - technology	Radar (RF)		
Motion sensor - transmission power	< 3.0mW		
Motion sensor - frequency	5.80 GHz		
Motion sensor - detection range (h=2.4m)	< 8m		
Adjustable detection range	Yes		
Communication - technology	Wirepas Mesh		
Communication - transmission power	< 6.5mW		
Communication - frequency	2.4 GHz		
Communication - range	max. 8 - 12m		

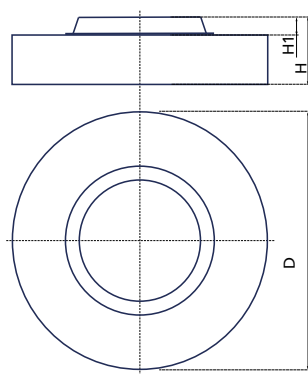


LEDCity monolicht

EDITION DEPENDENT DATA

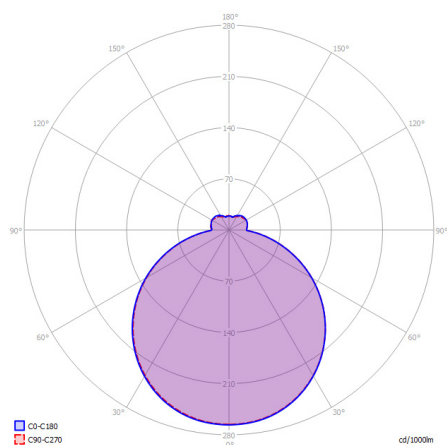
Nominal Diameter (N)	40 cm	60 cm
Power *	25 W	25 W
Useful luminous flux *	3625 lm	3625 lm
EAN	7640185683570	7640185683587

GRAPHICS



Drawing Information

N	40 cm	60 cm
D	400 mm	600 mm
H	115 mm	115 mm
H1	30 mm	30 mm



Measured on the largest available model with 4000K and CRI >80

