

Datasheet

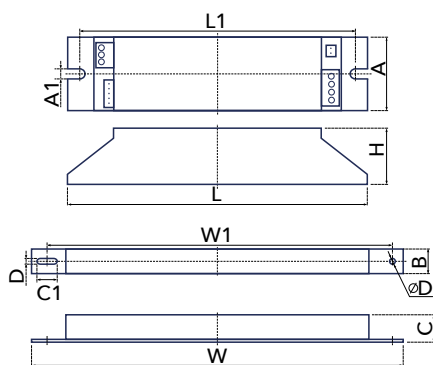
EMERGENCY LIGHT KIT FOR LED TUBES

GENERAL DATA

Input Voltage	230 VAC
Material	Steel
IP Protection class	IP20
Operating temperature	-10 °C .. +55 °C
Weight	470g
Output Power	< 25 W
Output Voltage	< 250 VDC
Battery Type	LiFePO4
Operation Mode	Switched, continuous, standby
Emergency Autonomy	> 1h
Self Test	function weekly/ duration yearly
Manual Test	Yes, by switch
EAN	7640185682870

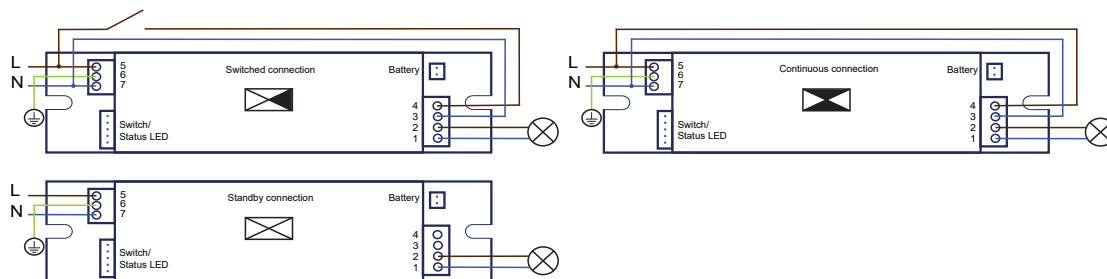


GRAPHICS



Drawing Information

L	171 mm	W	255 mm
L1	160 mm	W1	245 mm
H	31 mm	B	31 mm
A	38 mm	D	4 mm
A1	4 mm	C	29 mm
		C1	14 mm



CONTACT

LEDCity AG
 Werdstrasse 21
 CH-8004 Zurich
 info@ledcity.io

The products of LEDCity are constantly being further developed. The pictures, drawings and specifications shown here represent the current status at the time of publication of this document and cannot be used as a point of a contract. During the validity of this document we reserve the right to make technical or formal changes to our products.