



Datasheet

CIRCULAR LUMINAIRE SEMI-AUTONOMOUS



GENERAL DATA

Input Voltage	100 - 240 VAC	Communication - frequency	-
Battery Operation	190 - 240 VDC	Communication - range	-
Operating frequency	50 - 60 Hz	Active time settings	1s-30min
Peak voltage resistance	300 VACrms	Soft light start	Yes
Electronic ballast compatible	No	Basic light function	Yes
Material	Al / PC / PE	Basic light settings	0-100%
Cooling system	Passiv / 235 W/(mK)	Daylight control	No
Colour temperature **	3000 - 6000 K	Group parameterization	No
Colour Consistency (Mac Adam)	3	Swarm intelligence	No
System efficiency *	130 lm/W	Remote Access	No
Energy Class	E		
Number of switching cycles	> 500'000		
Service Life (L70B10)	70'000 h		
IP Protection class	IP20		
Protection class	II		
Risk group LED	RG0		
Operating temperature	-20 °C .. +45 °C		
Storage temperature	-20 °C .. +70 °C		
Operating & storage humidity	10 - 80 % rH		
Motion sensor - technology	Radar (HF)		
Motion sensor - transmission power	< 1mW		
Motion sensor - frequency	5.725 - 5.875 GHz		
Motion sensor - detection range (h=2.4m)	< 3m		
Adjustable detection range	No		
Communication - technology	-		
Communication - transmission power	-		



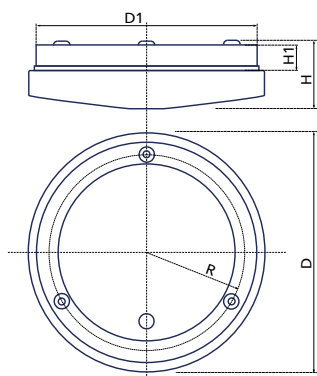
SCAN
CODE FOR
PRODUCT
PAGE

* Power and luminous flux are subject to initial tolerances of +/- 5%. Unless specified otherwise, they are measured as follows: Colour temperature of 4000K, CRI of 83+2 and ambient temperature of 25°C. ** Delivery options. Standard: 4000K & CRI > 80

LENGTH DEPENDENT DATA

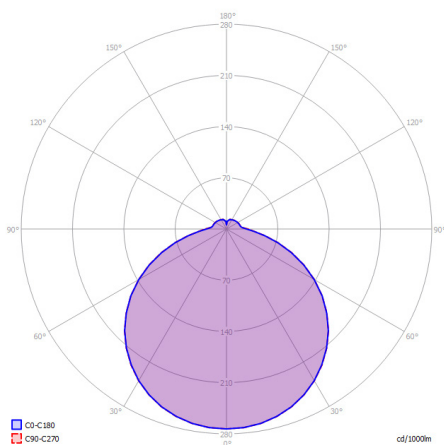
Nominal Diameter (N)	26 cm	32.5 cm	37.5 cm
Power *	9 W	18 W	25 W
Useful luminous flux *	1170 lm	2340 lm	3250 lm
EAN	7640185682351	7640185681873	7640185681880

GRAPHICS



Drawing Information

N	26 cm	32.5 cm	37.5 cm
D	255 mm	325 mm	375 mm
D1	230 mm	300 mm	350 mm
R	104 mm	134 mm	160 mm
H	80 mm	80 mm	80 mm
H1	210 mm	210 mm	210 mm



Measured on the largest available model with 4000K and CRI >80

CONTACT

LEDCity AG
Werdstrasse 21
CH-8004 Zurich
info@ledcity.io

The products of LEDCity are constantly being further developed. The pictures, drawings and specifications shown here represent the current status at the time of publication of this document and cannot be used as a point of a contract. During the validity of this document we reserve the right to make technical or formal changes to our products.

* Power and luminous flux are subject to initial tolerances of +/- 5%. Unless specified otherwise, they are measured as follows: Colour temperature of 4000K, CRI of 83+-2 and ambient temperature of 25°C. ** Delivery options. Standard: 4000K & CRI > 80